

Wall Pack Series

Orion Wall Sconce



WPC36

Housing:

Die Cast Aluminum Housing with Full Cutoff Front Frame, Textured Architectural Bronze Powdercoat Finish Over a Chromate Conversion Coating

Reflector:

Choice of Wide Angle or Forward Throw Aluminum Reflector

Lens:

Tempered Clear Flat Glass Lens

Socket:

HID: Porcelain 4KV Pulse Rated Medium Base

Socket with Nickel Plated Screw Shell

PL: Plug-In Type, GX24Q-4

Mounting:

Mount Over a 4" Recessed Outlet Box, Includes Easy-Hang Wall Mounting Plate

Wattage:

High Pressure Sodium: 35 to 150w

Metal Halide: 50 to 100w

Pulse Start: 150w

Compact Fluorescent:

Wide Angle: 1 x 26 to 42w, 2 x 26 to 42w

Forward Throw: 1 x 26 to 42w

Listing & Ratings:

CSA: Listed for Wet Locations

Meets Dark Sky Requirements

Other Wattages & Custom Colors Available Upon Request.

WP

Kit(s)	Description
WPC36	Orion Wall Sconce with Wide Angle Reflector, HID Kit
WPC36F	Orion Wall Sconce with Forward Throw Reflector, HID Kit
WPC36FF1	Orion Wall Sconce with Forward Throw Reflector, Single Fluorescent Kit
WPC36WF1	Orion Wall Sconce with Wide Angle Reflector, Single Fluorescent Kit
WPC36WF2	Orion Wall Sconce with Wide Angle Reflector, Twin Fluorescent Kit

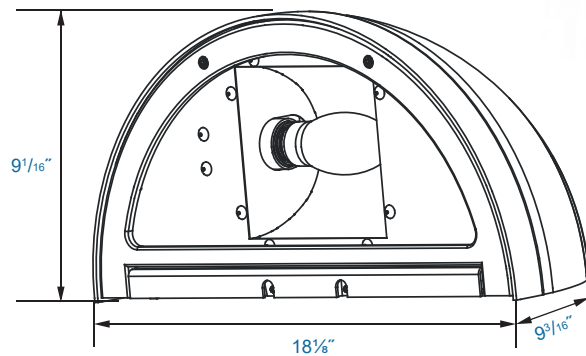
Complete Units (Lamp Included)				
Catalog #	Wattage	Voltage	Lamp	Ballast
WPC36*H35R120L	35	120	HPS	R-NPF
WPC36*H50R120L	50	120	HPS	R-NPF
WPC36*H70R120L	70	120	HPS	R-NPF
WPC36*H100R120L	100	120	HPS	R-NPF
WPC36*H150R120L	150	120	HPS	R-NPF
WPC36*H50DL	50	120/277	HPS	HX-HPF
WPC36*H70QL	70	Quad	HPS	HX-HPF
WPC36*H100QL	100	Quad	HPS	HX-HPF
WPC36*H150QL	150	Quad	HPS	HX-HPF
WPC36*M50DL	50	120/277	MH	HX-HPF
WPC36*M70QL	70	Quad	MH	HX-HPF
WPC36*M100QL	100	Quad	MH	HX-HPF
WPC36*P150QL	150	Quad	PS	HX-HPF
WPC36WF26EL	1 x 26	120-277	PL	Electronic
WPC36WF32EL	1 x 32	120-277	PL	Electronic
WPC36WF42EL	1 x 42	120-277	PL	Electronic
WPC36WF52EL	2 x 26	120-277	PL	Electronic
WPC36WF64EL	2 x 32	120-277	PL	Electronic
WPC36WF84EL	2 x 42	120-277	PL	Electronic
WPC36FF26EL	1 x 26	120-277	PL	Electronic
WPC36FF32EL	1 x 32	120-277	PL	Electronic
WPC36FF42EL	1 x 42	120-277	PL	Electronic

*Specify F for Forward Throw Reflector



Also Available in LED.

DIMENSIONS



WPC36

QSSI
Lighting & Electrical Products Group
Phone: (813) 316-2221
Fax: (813) 855-3717
Email: customerservice@qssi.com

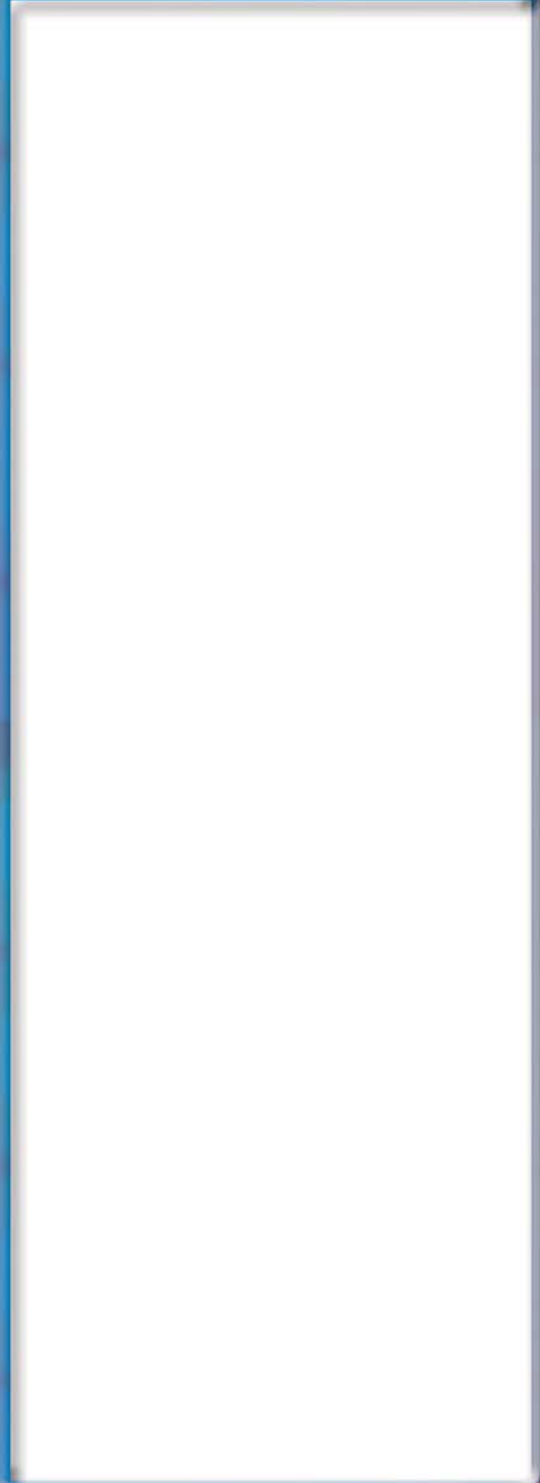


LIGHTING & ELECTRICAL PRODUCTS GROUP

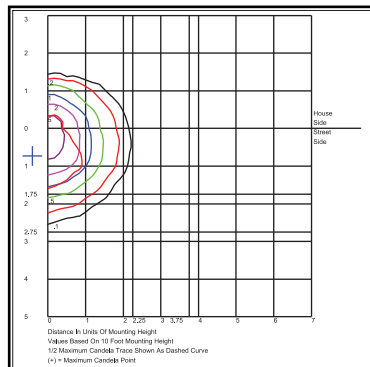
WP

Wall Pack Series

Orion Wall Sconce



PHOTOMETRICS



WPC36FF42

QSSI
 Lighting & Electrical Products Group
 12802 Commodity Place
 Tampa, FL 33626
 Visit Us At: www.qssi.com

WP-40