

Flood Series

Quartz Floods



QF10



QF35

Housing:

Die Cast Aluminum Housing, Choice of White or Bronze Powdercoat Finish Over a Chromate Conversion Coating

Reflector:

Anodized Aluminum Reflector

Lens:

Tempered Clear Flat Glass Lens

Socket:

Halogen R7S Socket

Mounting:

Adjustable Knuckle Mount with 1/2" NPS Threads

Wattage:

Quartz Halogen:

QF10: 150w Lamp Included

QF35: 300 or 500w (500w Lamp Included)

Listing & Ratings:

CSA: Listed for Wet Locations

Custom Colors Available Upon Request.

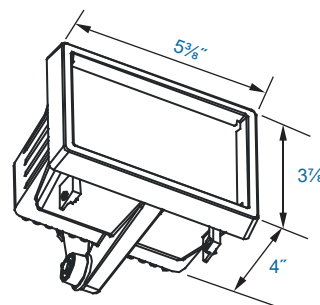
Complete Units (Lamp Included)

Catalog #	Wattage	Voltage	Lamp	Ballast
QF10*	150	120	Halogen	None
QF35*	500	120	Halogen	None

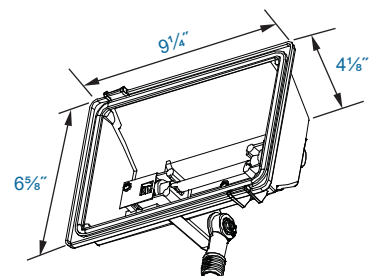
*Specify Color: BZ=Bronze, WH=White

FL

DIMENSIONS



QF10



QF35

QSSI
Lighting & Electrical Products Group
Phone: (813) 316-2221
Fax: (813) 855-3717
Email: customerservice@qssi.com



LIGHTING & ELECTRICAL
PRODUCTS GROUP

Catalog #	Description
CPRC1	Die Cast Backplate with Gasket, Three (3) 1/2" Holes, Coin Plugs & Two (2) Screws

FL

Flood Series

Quartz Floods



CPRC1

QSSI
Lighting & Electrical Products Group
12802 Commodity Place
Tampa, FL 33626
Visit Us At: www.qssi.com