

FL65Q

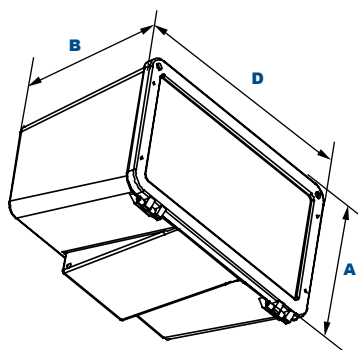
L70
25°C

385,000 Hours

EasyLED Large Flood



Shown with "SY" Small Yoke
Mounting Option.



Dimensions

Width (D)	16 1/2" (410mm)
Length (B)	10 1/2" (267mm)
Height (A)	10 1/2" (257mm)

Project Information:

Project Name:	Fixture Type:
Complete Catalog #:	Date:
Comments:	

Certification & Listings:



DesignLights Consortium™
Qualified Luminaire:
FL65QF1X68U5KC***



Specifications subject to change without notice. Rev. 021624

The LEPG FL65Q Large Flood light luminaire is available with a choice of yoke or slip fitter mounting configurations and medium flood optical distribution designed to replace HID lighting systems up to 400w MH or HPS. Typical lighting applications include retail centers, industrial parks, schools and universities, public transit and airports, office buildings and medical facilities. Mounting can be accomplished using wide variety of attachment accessories for wall, pole, and ground locations to heights of 25 feet based on light level and uniformity requirements.

Specifications and Features:

Housing:

Die-Cast Aluminum Housing & Hinged Gasketed Lens Frame. Nickel-Plated Stainless Steel Hardware.

Listing & Ratings:

ETL: Listed for Wet Locations, ANSI/UL 1598, 8750; IP65 Sealed LED Compartment.

Finish:

Textured Architectural Bronze Powdercoat Finish Over a Chromate Conversion Coating. Custom Colors Available Upon Request.

Lens:

Tempered Clear Flat Glass Lens

Mounting Options:

Stamped Steel Small or Large Yoke, or Adjustable Die Cast Slipfitter with Angle Indicator.

EasyLED LED:

Aluminum Boards

Wattage:

Array: 68.2w, System: 75w; (400w HID Equivalent)

Driver:

Electronic Driver, 120-277V, 50/60Hz or 347-480V, 50/60Hz; Less Than 20% THD and PF>0.90. Standard Internal Surge Protection 6kV. 0-10V Dimming Standard for a Dimming Range of 100% to 10%; Dimming Source Current is 150 Microamps.

Controls:

Fixtures Ordered with Factory-Installed Photocell or Motion Sensor Controls are Internally Wired for Switching and/or 1-10V Dimming Within the Housing. Remote Direct Wired Interface of 1-10V Dimming is Not Implied and May Not Be Available, Please Consult Factory. Fixtures are Tested with QSSI Controls and May Not Function Properly With Controls Supplied By Others. Fixtures are NOT Designed for Use with Line Voltage Dimmers.

Warranty:




5-Year Warranty for -40°C to +50°C Environment.

See Page 3 for Projected Lumen Maintenance Table.

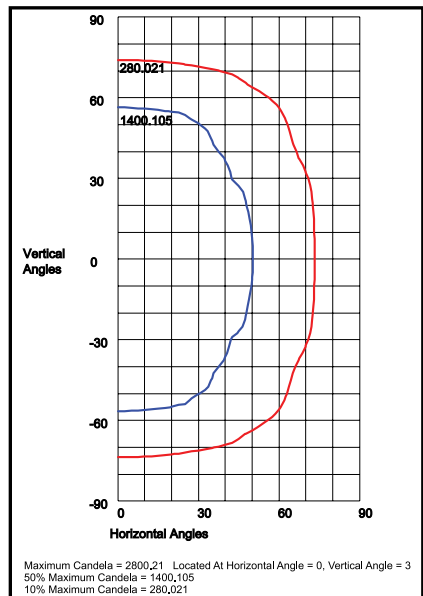
Order Information Example:		FL65QF1X68U5KCZSYS						
FL65Q	F	1X68			C			
Model	Beam	Wattage	Driver	CCT	Lens	Color	Mounting	Options
FL65Q=EasyLED Large Flood	F= Medium Flood, 100°H x 110°V, NEMA 7H x 7V	1X68=68w	U=120-277V H=347-480V	4K=4000K 5K=5000K	C=Clear Flat Glass Lens	Z=Bronze C=Custom (Consult Factory)	SF= Slipfitter SY=Small Yoke LY=Large Yoke	SF=Single Fuse* DF=Double Fuse* SP=Surge Protection R3=3-Pin 480V Twist Lock Photocell Receptacle with P18132 Shorting Cap ① R5=5-Pin Twist Lock Photocell Receptacle ① R7=7-Pin ANSI C136.41—2013 Twist Lock Photocell Receptacle ① P40=P18140 110-120VAC Instant P52=P18152 277VAC Time Delay *120-277V Only

Notes
① Maximum tilt angle of 45° above horizontal with R3, R5, or R7 photocell receptacle options

Accessories & Replacement Parts:

Mounting Accessories (Order Separately, Field Installed)	Accessories (Order Separately, Field Installed)	Replacement Parts (Order Separately, Field Installed)
FL65SWBZ Heavy Duty Swivel Wall Bracket, 120° Rotation, Stamped Steel, Bronze Powdercoat Finish, Includes Hardware.	FL65LG Clear UV-Stabilized Polycarbonate Vandal Resistant Guard	FL65GL Tempered Clear Flat Glass Lens.
	FL65WG Wire Guard, Stainless Steel Construction	FL65LYZ Stamped Heavy-Duty Large Steel Yoke, Bronze Powdercoat Finish, Includes Hardware.
FL65SWBZ	P18131 Twist Lock Non-Shorting (Open) Cap Disconnects Service to Fixture for Temporary or Permanent Disabling (Fixture Always Off). IP65, 480V Maximum.	FL65SYZ Stamped Heavy-Duty Small Steel Yoke, Bronze Powdercoat Finish, Includes Hardware.
	P18132 Twist Lock Shorting Cap Provides Fixed Service to Fixture (Fixture Always on). IP65, Rated Load 7200w Tungsten.	FL73SFXZ External Mount Die-Cast Adjustable Slipfitter for 2½" Tenons, Bronze Powdercoat Finish, Includes Hardware.
	P18140 110-120VAC Instant Twist Lock Photocell	
	P18152 277VAC Time Delay Twist Lock Photocell	FL65LYZ* FL65SYZ* FL73SFXZ
	P18156 120-277VAC Universal Twist Lock Photocell	*Shown Mounted.
	P18157 480VAC Time Delay Twist Lock Photocell. For 480V use only.	
		
	FL65WG*	
	*Shown Mounted.	

Photometric Data



FL65QF1X68U5KC
100°H x 110°V Beam, NEMA 7H x 7V

Specifications subject to change without notice. Rev. 060923



LIGHTING & ELECTRICAL PRODUCTS GROUP

FL65Q **L70** 25°C **385,000 Hours**
EasyLED Large Flood

Photometric Performance

LED Board Watts	Drive Current (mA)	Input Watts	Beam	5000 CCT 80 CRI		4000 CCT 80 CRI	
				Lumens	LPW	Lumens	LPW
EasyLED 68w	525	75	F 100°H x 110°V, NEMA 7H x 7V	7,401	99	6,772	90

Projected Lumen Maintenance

Data shown for 5000 CCT TM-21-11	Input Watts	Compare to MH				Calculated LED Life
		Initial	25,000 Hrs	50,000 Hrs	100,000 Hrs	
L70 Lumen Maintenance @ 25°C / 77°F	75	1.00	0.98	0.96	0.92	385,000
L70 Lumen Maintenance @ 50°C / 122°F		1.00	0.96	0.93	0.86	209,000
L80 Lumen Maintenance @ 40°C / 104°F		1.00	0.97	0.94	0.89	176,000

NOTES:

1. Projected per IESNA TM-21-11. Data references the extrapolated performance projections for the base model in a 25°C ambient, based on 10,000 hours of LED testing per IESNA LM-80-08.
2. Compare to MH box indicates suggested Light Loss Factor (LLF) to be used when comparing to Metal Halide (MH) systems.

Specifications subject to change without notice. Rev. 021320

12802 Commodity Place • Tampa, FL 33626 • Phone: (813) 316-2221
 For more information visit our website at www.qssi.com

