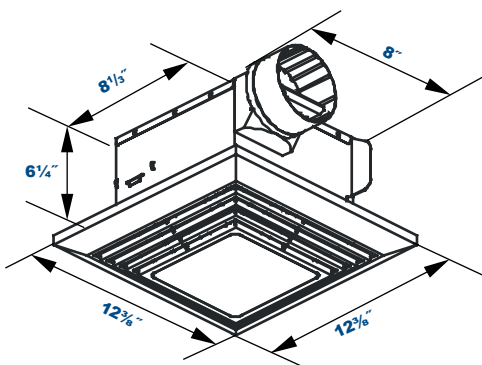


BFV90

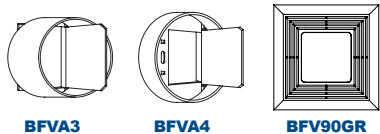
90 CFM Bath Vent



Dimensions



Accessories & Replacement Parts:



Accessories (Order Separately, Field Installed)

BFVA3 3" Duct Adapter

BFVA4 4" Duct Adapter

BFV90GR* Large Square Designer Grille for BFV90 & BFV110, Includes Two (2) Spring Clips (Not Dishwasher Safe)

*Specify Color: BZ=Bronze, ORB=Oil Rubbed Bronze, RG=Renaissance Gold, VS=Venetian Silver, SN=Satin Nickel

Bath Vents

Specifications and Features:

- **GALVANIZED HOUSING** Resists Humid Conditions & Changing Attic Temperatures, Unlike Plain Steel Housing Used in Many Vents.
- Housing has Ceiling/Wall Thickness Indicator Markings & Built-in Mounting Tabs for Quick Installation.
- Attractive Molded Grille with Spring Clips for Smooth Fit Against Ceiling or Wall.
- Dishwasher Safe Grille for Easy Homeowner Cleaning.
- Easy Remove & Install Motor Assembly with Keyhole Mounting Bracket.
- Permanently Lubricated Motor with Plug for Quick Activations.
- Built-in Junction Box for Easy Wiring.
- Molded Fan Blade - Precision Balanced for Quiet Operation.
- Molded Duct Adapter with Built-in Damper.
- **Listings & Ratings:** Units & Service Parts are ETL Listed
- **Airflow:** 90 CFM
- **Duct:** 4"
- **Sound:** 50dB
- **Finish:** White
- **Quantity/Master Carton:** 1
- **Master Carton Cubic Feet:** .93



Colors: White Molded Grille. Designer Color Grilles Available:

- =Bronze (BZ); ■ =Oil Rubbed Bronze (ORB); ■ =Renaissance Gold (RG);
- =Venetian Silver (VS); ■ =Satin Nickel (SN)

Project Information:

Project Name: _____ Fixture Type: _____

Complete Catalog #: _____ Date: _____

Comments: _____

Certification & Listings:

