



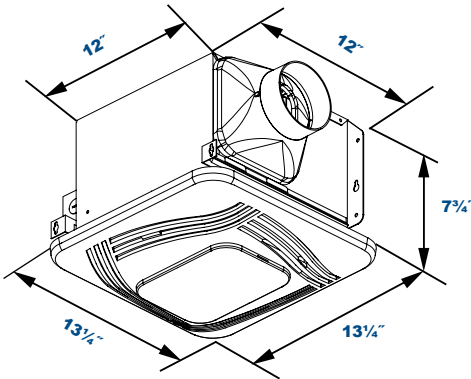
LIGHTING & ELECTRICAL PRODUCTS GROUP

BFV80LEDUQ

80 CFM Ultra-Quiet LED Bath Vent/Light



Dimensions



Bath Vents

Specifications and Features:

- **GALVANIZED HOUSING** with Plated Sound Absorbing Finish for Humid Conditions & Various Attic Temperatures.
- Attractive Molded Grille with Diffuser Designed for LED Applications and Spring Clips for Smooth Fit Against Ceiling or Wall
- Dishwasher Safe Grille for Easy Cleaning
- Permanently Lubricated Ball Bearing Motor, Capacitor Driven & Rated for Continuous Operation
- Designed for Ultra Low RPM for Quiet Operation
- Centrifugal Polymeric Blower Wheel with Unique Two Way Air Dissipation for Maximum Airflow & Quiet Operation
- Two Way Mounting: 16" or 24" On-Center Key Hole Slots
- Markings on Housings for Ceiling & Wall Thickness
- Built-in Junction Box for Easy Wiring
- Molded 6" & 4" Duct Adapters (Included)
- Built-in Receptacle for Quick Activation
- **LED Array and Driver:**
1200 lumen output (100 lpw)
CRI: >70
CCT: 4000K
30,000 Hour Rating
LED Wattage: 12w
Electronic Driver, 100-240V, 50/60Hz
- **Listings & Ratings:** Units & Service Parts are ETL Listed
- **Airflow:** 80 CFM
- **Duct:** 4" & 6"
- **Sound:** 1.8 Sones
- **Finish:** White
- **Quantity/Master Carton:** 1
- **Master Carton Cubic Feet:** 1.95



Project Information:

Project Name: _____ Fixture Type: _____

Complete Catalog #: _____ Date: _____

Comments: _____

Certification & Listings:



Specifications subject to change without notice. Rev. 021624